

**MAKE YOUR OWN...**

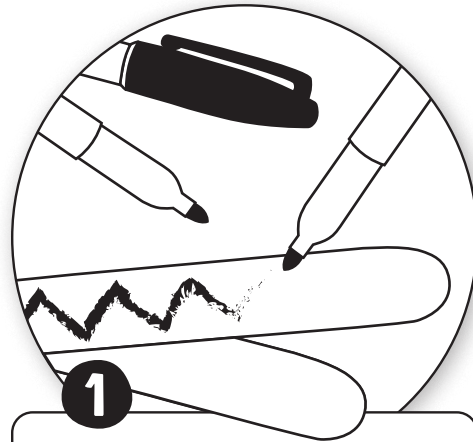
# KAZOO

## YOU WILL NEED:

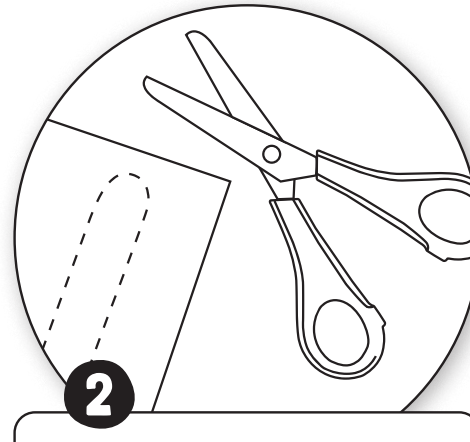
- 2 x craft sticks
- 2 x toothpicks or cocktail sticks
- 2 x elastic bands
- Paper
- Pens

MAKE A JOYFUL NOISE TO THE LORD

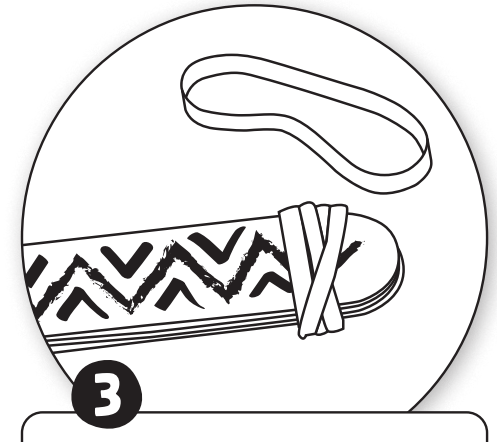
**PSALM 100:1**



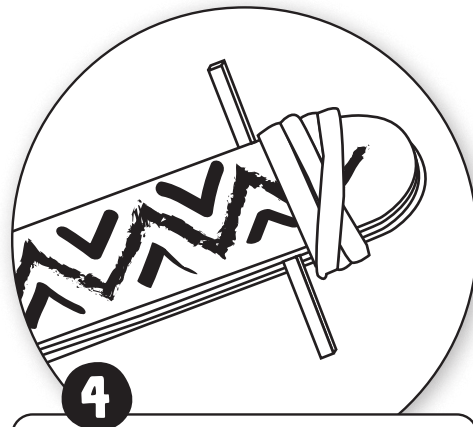
**1** Start by decorating your two sticks with your pens. It might be useful to remember that you will be putting these in your mouth later!



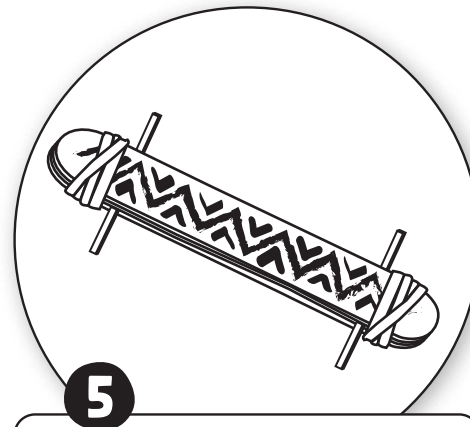
**2** Next, draw around one of the sticks on the paper and cut it out, so you have a piece of paper the exact same size as your sticks.



**3** Sandwich the paper between the two sticks, and secure them together at one end with one of the rubber bands.



**4** Now, wedge one of the cocktail sticks in between the two sticks, just inside the elastic band. Get an adult to trim the sharp ends.



**5** At the other end, hold the cocktail stick in place on the other side of the paper middle than last time and secure with the elastic band.



**6** Press your lips together and hum into your kazoo! It works best if you apply a bit of pressure on the two craft sticks while blowing out.